

Shakti Pulley

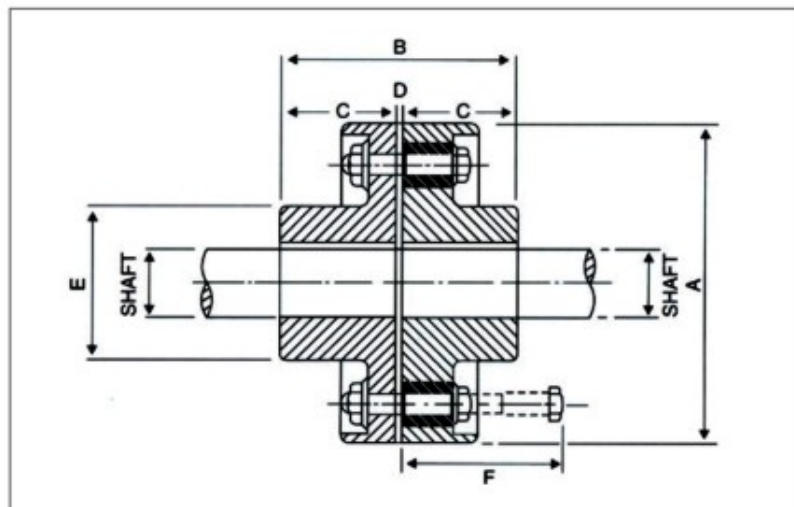
AN ISO 9001 COMPANY

Shakti **Bush Type** **Flexible Couplings**



Power Transmission Accessories

SHAKTI BUSH TYPE FLEXIBLE COUPLINGS



DIMENSIONS

Size	No. of Pins	Torque Nm	Min. Bore (mm)	Max. Bore (mm)	Max. Speed rev/min	A	B	C	D	E	F	Power Rating 100 rev/min
BC1	3	77	12.7	28	6100	95	79	38	3	40	58	0.81
BC2	4	310	12.7	30	5100	114	99	48	3	42	70	3.25
BC2A	6	516	16	42	4400	130	105	51	3	60	70	5.4
BC3	4	621	16	48	3600	160	107	51	5	68	114	6.5
BC4	4	831	20	65	3000	191	125	60	5	90	114	8.7
BC4A	6	1241										13
BC5	6	1662	25	75	2600	225	157	76	5	105	114	17.4
BC6	8	2359	45	95	2300	254	183	89	5	135	114	24.7
BC6A	10	2932										30.7
BC6B	12	3533										37
NBC7	12	4154	60	115	1950	290	235	115	5	170	114	43.5
NBC7A	14	5195	60	120	1900	300	235	115	5	180	130	54.4
NBC8	16	5816	65	130	1850	310	255	125	5	195	130	60.9
NBC8A	18	7268	65	135	1650	340	265	130	5	200	130	76.1
NBC8B	12	8729	70	140	1590	360	276	135	6	210	200	91.4
NBC9	13	9932	80	150	1470	390	316	155	6	225	200	104
NBC9A	15	13274	90	160	1400	410	336	165	6	240	200	139
NBC10	16	14420	100	170	1300	440	366	180	6	255	200	151
NBC10A	17	18050	110	180	1200	480	386	190	6	270	212	189
NBC11	20	23780	120	190	1080	530	406	200	6	285	212	249

SHAKTI PULLEY MFG. CO

- Plot No. 28/3, Street No. 6, Anand Parbat Indl. Area
New Rohtak Road, New Delhi - 110005
 - 50, Sector 16, HSIDC, Bahadurgarh, Haryana
- Phone: 011-28762627, 28763334, 8010658403/4/5/6
 Fax: 28762628, Mob.: 9810059086
 Email: shakti@bol.net.in, Website: www.shaktipulley.com

