

Shakti Pulley

AN ISO 9001 COMPANY

Shakti **HRC COUPLINGS**



Power Transmission Accessories

Shakti Pulley HRC Coupling

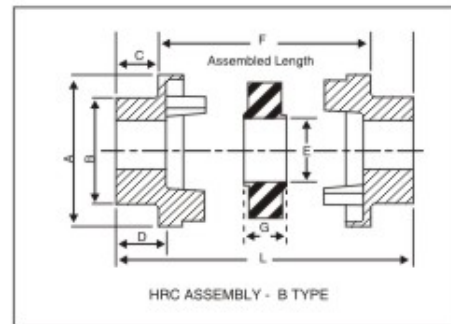
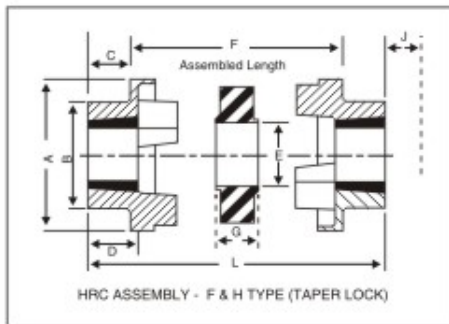
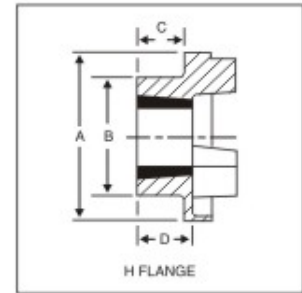
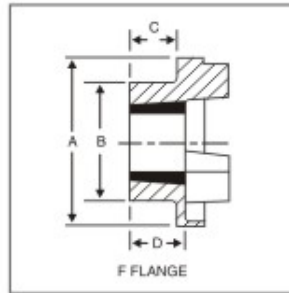
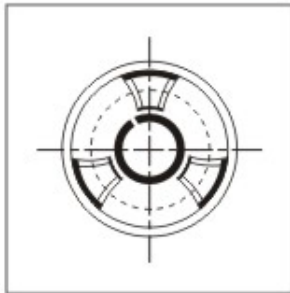


TABLE 2 - DIMENSIONS

Size	Power at 100 rpm kW	Type F & H								Type B								Power Ratings 100 rev/ min		
		TLB Size	Min. Bore	Max. Bore	C	D	F	L	J*	Min. Bore	Max. Bore	C	D	F	L	A	B		E	G
70	0.33	1008	09	25	20.0	24	26.0	66.0	29	10	32	20	24	26.0	66.0	69	60	31	18.0	0.33
90	0.84	1108	09	28	19.5	24	31.5	70.5	29	10	35	26	30	30.5	82.5	85	70	32	22.5	0.84
110	1.68	1210	11	32	18.5	27	46.0	83.0	38	10	55	37	45	45.0	119.0	112	100	45	29.0	1.68
110A	1.68	1610	14	42	18.5	27	46.0	83.0	38	-	-	-	-	-	-	112	100	45	29.0	1.68
130	3.30	1610	14	42	18.0	27	54.0	90.0	38	14	60	47	56	54.0	148.0	130	105	50	36.0	3.30
150	6.28	2012	14	50	23.5	34	61.0	108.0	44	19	70	50	60	60.0	160.0	150	115	62	40.0	6.28
180	9.95	2517	16	60	34.5	47	74.0	143.0	48	35	80	58	70	73.0	189.0	180	125	77	49.0	9.95
230	20.90	3020	25	75	39.5	53	86.5	165.5	55	38	100	77	90	85.5	239.5	225	155	99	59.5	20.90
280	33.00	3525	35	90	51.0	67	106.5	208.5	67	48	115	90	105	104.5	284.5	275	206	119	74.5	33.00

* J - Wrench clearance to allow for tightening and loosening the bush on the shaft.

SHAKTI PULLEY MFG. CO

- Plot No. 28/3, Street No. 6, Anand Parbat Indl. Area
New Rohtak Road, New Delhi - 110005
 - 50, Sector 16, HSIDC, Bahadurgarh, Haryana
- Phone: 011-28762627, 28763334, 8010658403/4/5/6
 Fax: 28762628, Mob.: 9810059086
 Email: shakti@bol.net.in, Website: www.shaktipulley.com

