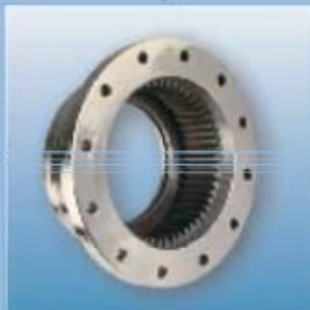


Shakti Pulley

AN ISO 9001 COMPANY

Shakti **Gear Couplings**



Power Transmission Accessories

Shakti Gear Couplings

Shakti Curved Tooth Flexible Gear Couplings

are the result of many years of experience in the field of Mechanical Power Transmission.

These Gear Couplings are distinguished by their mechanical flexibility and compensation of Angular, Parallel and Axial misalignments of the connected shafts. They are made for extensive use in Metal Rolling Mills, Paper Machinery, Cranes, Dredgers, Rubber and Plastic Industries, Cement Plants, Conveyors and Elevators, Compressors, Fans and Blowers, Screens and other general industries.

Flexible Gear Couplings basically consist of two hubs, with crowned external teeth and two outer sleeves with internal spur teeth.

Gear hubs and the outer sleeves are manufactured from carbon steel. They are machined to fine tolerances for proper meshing of the gears as well as for interchangeability.

POWER RATINGS :

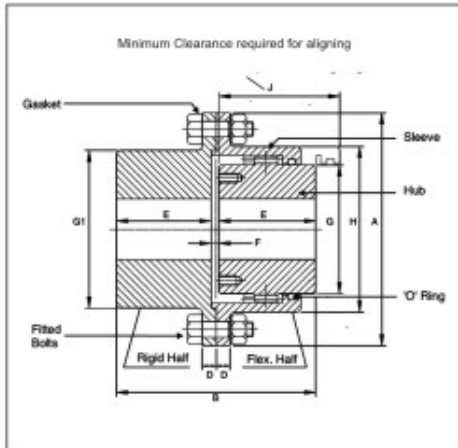
The normal power ratings are given in the Table. For selection of the correct size of couplings, proper service factor depending on the type of machines and the peak load should be considered.

SERVICE FACTOR :

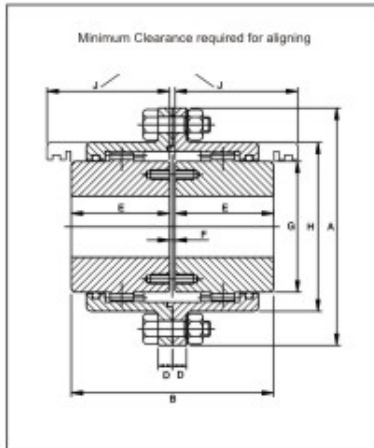
Generally, for medium duty use a service factor of 1.5. For heavy duty use a factor of 2 and for extra heavy duty a factor of 3 should be used. ***For special applications please contact Shakti with full details.***

Coupling No / Size	Power at 100 rpm in Kw	Maximum Torque in Nm	Hub Bore (mm)			Dimensions (mm)									
			Flex		Rigid	A	B	D	E	F	G	G1	H	J	
			Min.	Max.	Max.										
SGC 1	11.5	1100	14	55	60	170	115	17	55	5	78	90	110	65	
SGC 2	28.5	2720	20	60	75	185	145	17	70	5	85	110	125	85	
SGC 3	51.5	4920	30	75	90	220	175	20	85	5	107	130	150	105	
SGC 4	96.5	9220	40	100	110	250	215	20	105	5	138	160	178	125	
SGC 5	150	14320	46	120	130	290	240	25	115	10	166	185	204	140	
SGC 6	230	21960	50	125	150	320	260	25	125	10	176	215	230	155	
SGC 7	390	37250	60	145	170	350	290	25	140	10	208	240	260	175	
SGC 8	515	49180	70	165	200	380	330	25	160	10	230	285	290	200	
SGC 9	644	61500	80	200	220	430	340	25	165	10	270	315	332	210	
SGC 10	930	88800	100	230	260	490	370	25	180	10	315	370	390	230	
SGC 11	1265	120800	110	260	280	545	410	30	200	10	350	380	445	270	
SGC 12	1600	152800	150	300	310	590	490	30	240	10	404	420	490	300	
SGC 13	2880	275000	160	330	340	680	535	35	260	15	442	480	555	320	
SGC 13A	3980	380000	200	340	370	730	575	35	275	25	470	520	595	350	
SGC 14	3980	380000	200	370	370	730	575	35	280	15	500	520	610	340	
SGC 14A	4765	455000	230	360	400	780	635	35	305	25	510	560	640	375	
SGC 15	4765	455000	230	410	400	780	655	40	320	15	540	560	660	385	
SGC 16	6800	650000	260	450	460	900	720	40	350	25	630	650	750	425	
SGC 16A	8375	800000	300	490	530	1000	815	40	395	25	700	750	855	470	
SGC 17	9000	850000	300	520	530	1000	820	40	400	20	720	750	855	490	
SGC 17A	10730	1025000	320	540	580	1100	920	40	440	40	750	820	955	525	
SGC 18	11800	1120000	320	620	580	1100	920	55	450	20	820	820	950	535	
SGC 18A	12700	1200000	400	600	700	1250	1000	55	475	50	840	920	1050	560	
SGC 19	15500	1470000	400	710	700	1250	1000	55	485	30	915	920	1050	560	

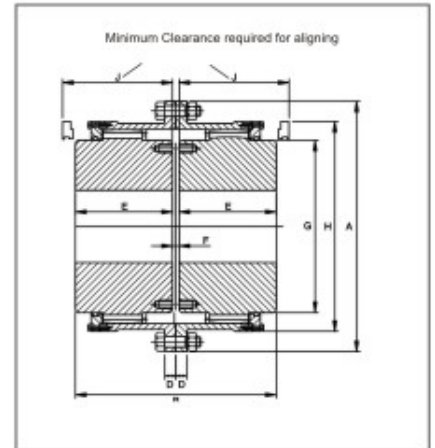
Shakti Gear Couplings



HALF FLEXIBLE COUPLINGS



COUPLINGS SIZES 1 TO 10



COUPLINGS SIZES 11 TO 19

Maximum Speed RPM	Approx. Weigh in Kg.		Approx. Gd ² Value in Kg M ²		Clamping Bolt Size	No. Of Bolts	Max. misalignment Capacity		
	Full Flex	Half Flex	Full Flex	Half Flex			Parallel (mm)	Axial Float (mm)	Angular per Gear Mesh
6700	11	10.5	0.14	0.11	M12 X 50	6	0.80	0.5	1.5°
6100	16	15	0.21	0.18	M12 X 50	6	0.95		
5200	26	26	0.45	0.44	M16 X 60	6	1.10		
4500	41	42	0.98	0.88	M16 X 60	8	1.30		
3950	63	63	1.90	1.90	M20 X 75	8	1.45		
3500	86	87	3.05	3.06	M20 X 75	8	1.55	1.0	
3250	120	120	5.25	5.20	M20 X 75	10	1.80		
3000	165	170	8.52	8.63	M20 X 75	12	1.90		
2600	210	220	15.00	15.00	M24 X 80	10	2.25		
2300	310	320	28.67	29.00	M24 X 80	12	2.60	2.0	
2100	454	430	52.00	46.18	M24 X 90	12	3.30		
1900	630	590	88.60	76.57	M24 X 90	14	3.50		
1550	887	850	155.00	140.00	M30 X 110	14	6.65	3.0	
1400	1050	1050	215.00	203.00	M30 X 110	16	7.35		
1400	1097	1050	230.00	203.00	M30 X 110	16	7.35		
1350	1310	1350	300.00	305.00	M30 X 110	18	8.15		
1350	1440	1350	352.00	305.00	M30 X 110	18	8.15		
1150	2120	2000	670.00	611.20	M36 X 120	18	8.55		
1050	3057	2900	1210.00	1132.00	M36 X 120	20	9.15		
1050	3100	2900	1275.00	1132.00	M36 X 120	20	9.15		
950	4196	4050	2030.00	1913.00	M36 X 120	20	9.65		
950	4370	4050	2198.00	1913.00	M36 X 150	20	9.65		
825	5430	5200	3410.00	3179.00	M48 X 160	20	10.25		
825	5590	5200	3588.00	3179.00	M48 X 160	20	10.25		

PRODUCT RANGE



SHAKTI PULLEY MFG. CO

- Plot No. 28/3, Street No. 6, Anand Parbat Indl. Area
New Rohtak Road, New Delhi - 110005
- 50, Sector 16, HSIDC, Bahadurgarh, Haryana
Phone: 011-28762627, 28763334, 8010658403/4/5/6
Fax: 28762628, Mob.: 9810059086
- Email: shakti@bol.net.in, Website: www.shaktipulley.com